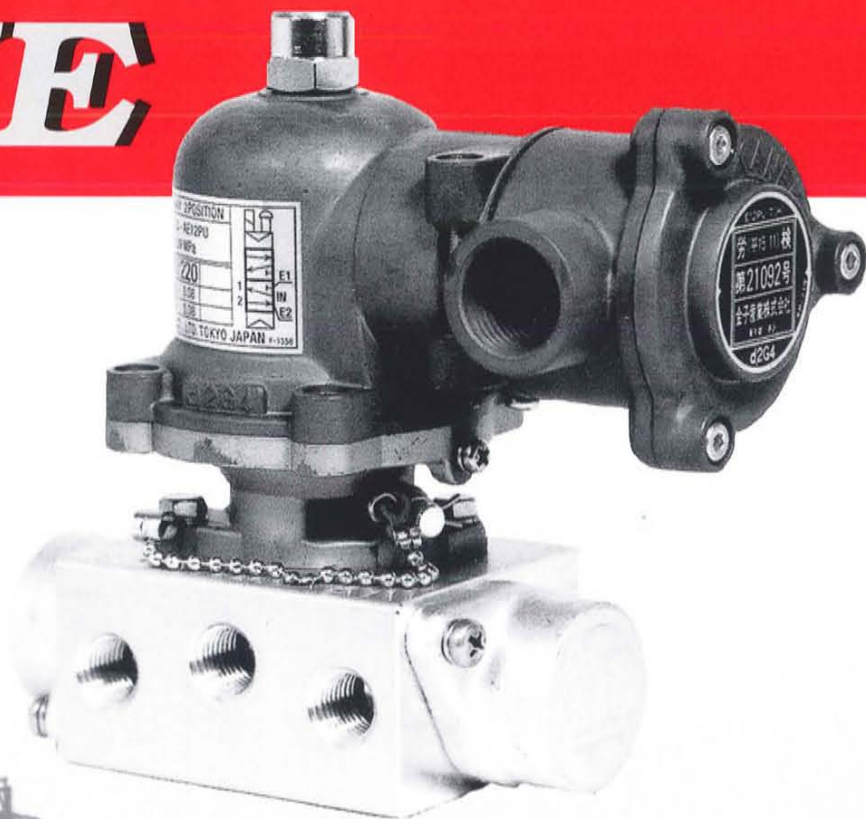


PNEUMATIC SOLENOID VALVE

KANEKO'S

3Way,4Way Solenoid Valve
Manual Reset Solenoid Valve
General Purpose & Explosion-
proof Type



PNEUMATIC·NO VOLTAGE RELEASE·ELECTRICALLY TRIPPED·SOLENOID ACTING

These 3 Way Solenoid Valve are designed to be manualreset by a mechanical button and tripped by a Solenoid.

Two types of operation are available:No Voltage Release and Electrically Tripped.

NO VOLTAGE RELEASE.LATCHED OPEN

When solenoid is energized and Manual Button is pushed up, the valve is latched open and orifice "C" (Pressure) opens and orifice "B" (Exhaust) closes thereby pressurizing the system.

Valve is latched in this position only as long as the solenoid is continuously energized. When the solenoid is deenergized the latch drops out and orifice "C" closes and orifice "B" opens thereby exhausting the system.The valve remains in this position until enrgized and manually operated. No Voltage Release Latched Clsoed also is available.

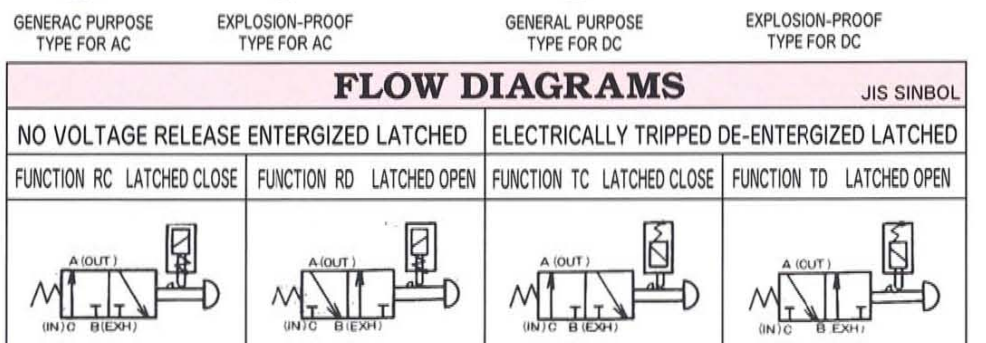
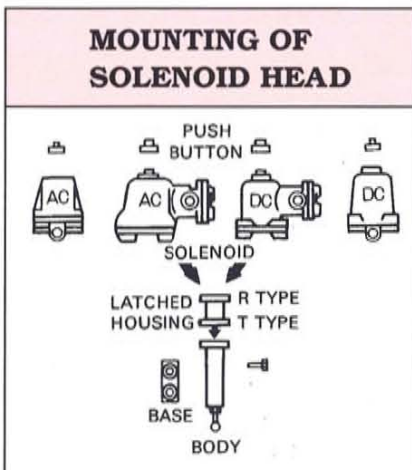
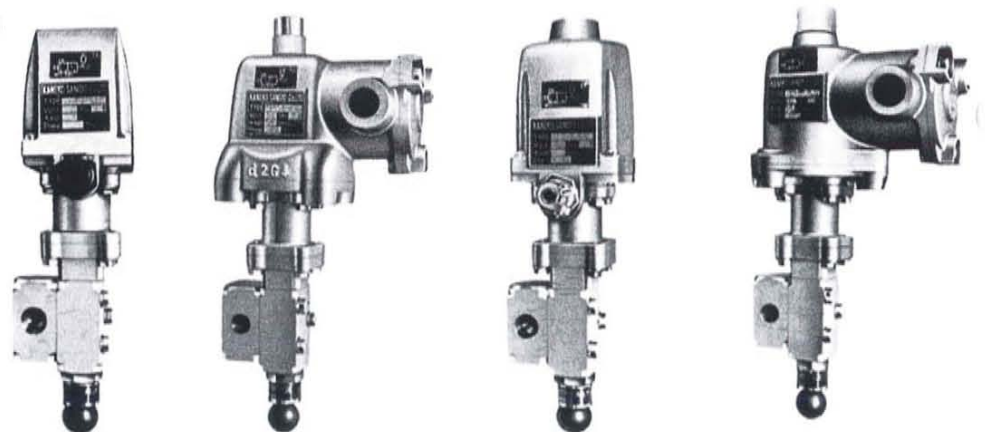
ELECTRICALLY TRIPPED.LATCHED OPEN

When Manual Button is pushed up, the valve is latched open and orifice "C" (Pressure) opens and orifice "B" (Exhaust) closes. Valve is latched in this position until the solenoid is momentarily energized then the latch drops out and orifice "C" closes and orifice "B" opens. The valve remains in this position until manually operated.

Latched closed construction also is available.Refer to Flow Diagrams

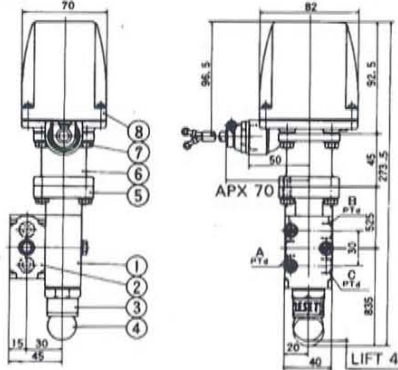
SPECIFICATIONS

- TYPE : M51R: No Voltage Release
: M51T: Electrically Tripped
- PIPE SIZE : Rc 1/4" , 3/8"
- ORIFICE SIZE : φ 6
- SOLENOID ENCLOSURE : General Purpose Type, AC...A1 DC...D11
: Explosion-proof Type, AC...AE1 DC...DE11
- Explosion-proof Construction is according to JIS CO903
- OFFICIAL APPROVAL No : d2G4.Class B Coil "ROKEN" No. 14202
: d2G4.Class H Coil "ROKEN" No. 22721
- MEDIA : Clean air (Not including dust or water)
or Inter gas
- WORKING PRESSURE : 0~0.99Mpa
- Cv FACTOR : 0.58
- MEDIA TEMPERATURE : -20~+60°C
- AMBIENT TEMPERATURE : -20~+40°C
- MATERIAL : Body: Anti-croosion Aluminum Alloy
Spool: Stainless Steel
Gasket: "O" Ring of NBR

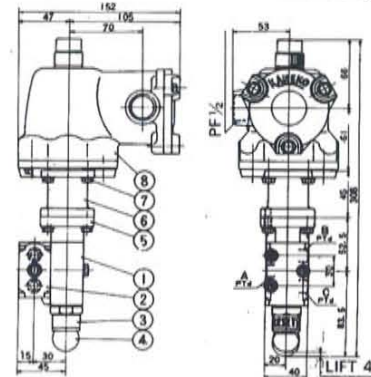


DIMENSIONS • MODEL NO. • MATERIAL

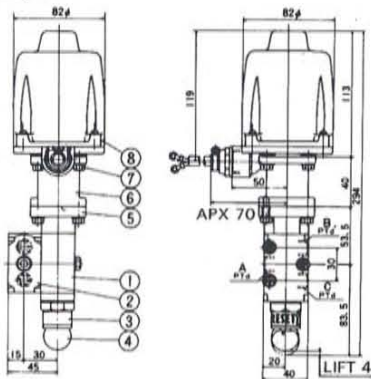
GENERAL PURPOSE TYPE FOR AC
M51R□(T□)-A1



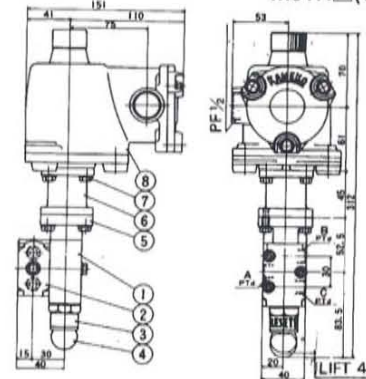
EXPLOSION-PROOF TYPE FOR AC
M51R□(T□)-AE1



GENERAL PURPOSE TYPE FOR DC
M51R□(T□)-D11



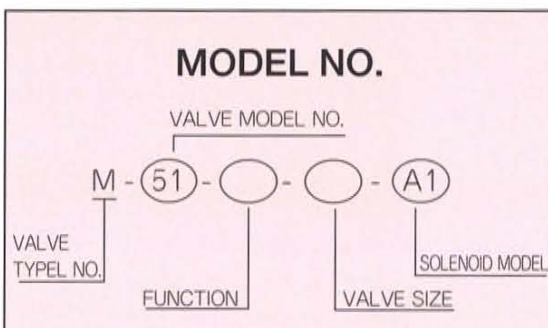
EXPLOSION-PROOF TYPE FOR AC
M51R□(T□)-DE11



MODEL No		SIZE	d
AC	DC		
M51RC-8-A1(AE1)	M51RC-8-D11(DE11)	8	1/4
M51RD-8-A1(AE1)	M51RD-8-D11(DE11)	8	1/4
M51RC-10-A1(AE1)	M51RC-10-D11(DE11)	10	3/8
M51RD-10-A1(AE1)	M51RD-10-D11(DE11)	10	3/8
M51TC-8-A1(AE1)	M51TC-8-D11(DE11)	8	1/4
M51TD-8-A1(AE1)	M51TD-8-D11(DE11)	8	1/4
M51TC-10-A1(AE1)	M51TC-10-D11(DE11)	10	3/8
M51TD-10-A1(AE1)	M51TD-10-D11(DE11)	10	3/8

STANARD VOLTAGE				
SOLENOID MODEL SCM5L		SOLENOID MODEL S80		
V/Hz	INRUSH A	HOLDING A	DC-V	HOLDING A
100/50	2.8	0.5	24	0.91
100/60	3.1	0.56	48	0.53
110/60	2.6	0.46	100	0.24
200/50	1.4	0.25	110	0.26
220/50	1.3	0.22	125	0.20
220/60	1.3	0.23		

CONTINUOUS DUTY
OPERATING VOLTAGE RANGE +10%, -15%
CLASS OF COIL INSULATION B



No.	PARTS	No.OF UNIT	MATERIAL
1	BODY	1	A6063
2	BASE	1	A6063
3	RETAINER	1	SUS304
4	MANUAL BUTTON	1	PLASTICS
5	SPACER	1	AC2C-F
6	LATCHET	1Set	
7	BOLT W/SW	4Sets	SS400
8	SOLENOID ASS'Y	1Set	