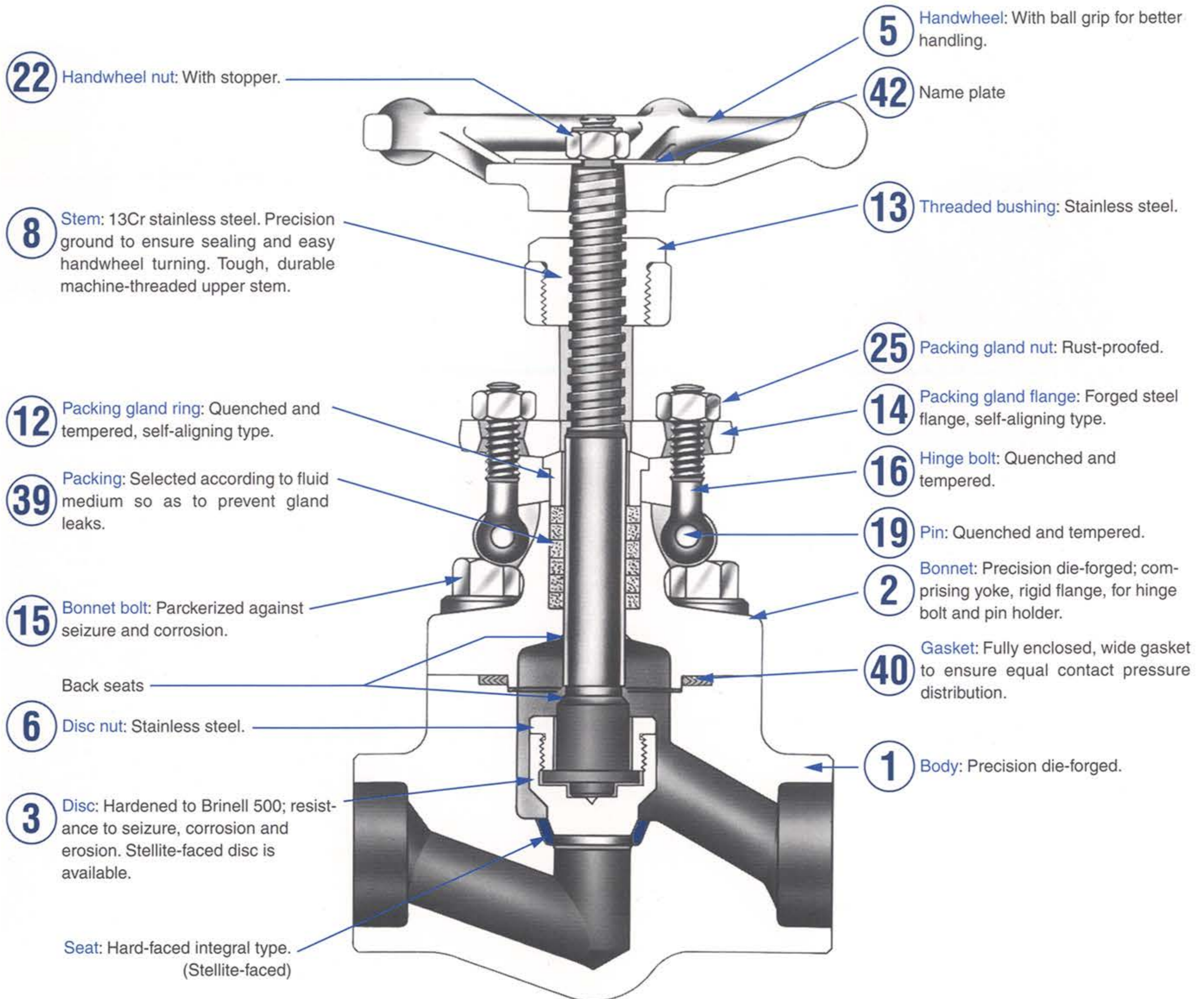


EXCO-F (Class 600) Globe Valve

Type **E135** ● Standard port type / **E235** ● Full port type

● Valve size: 1/4 B~2B



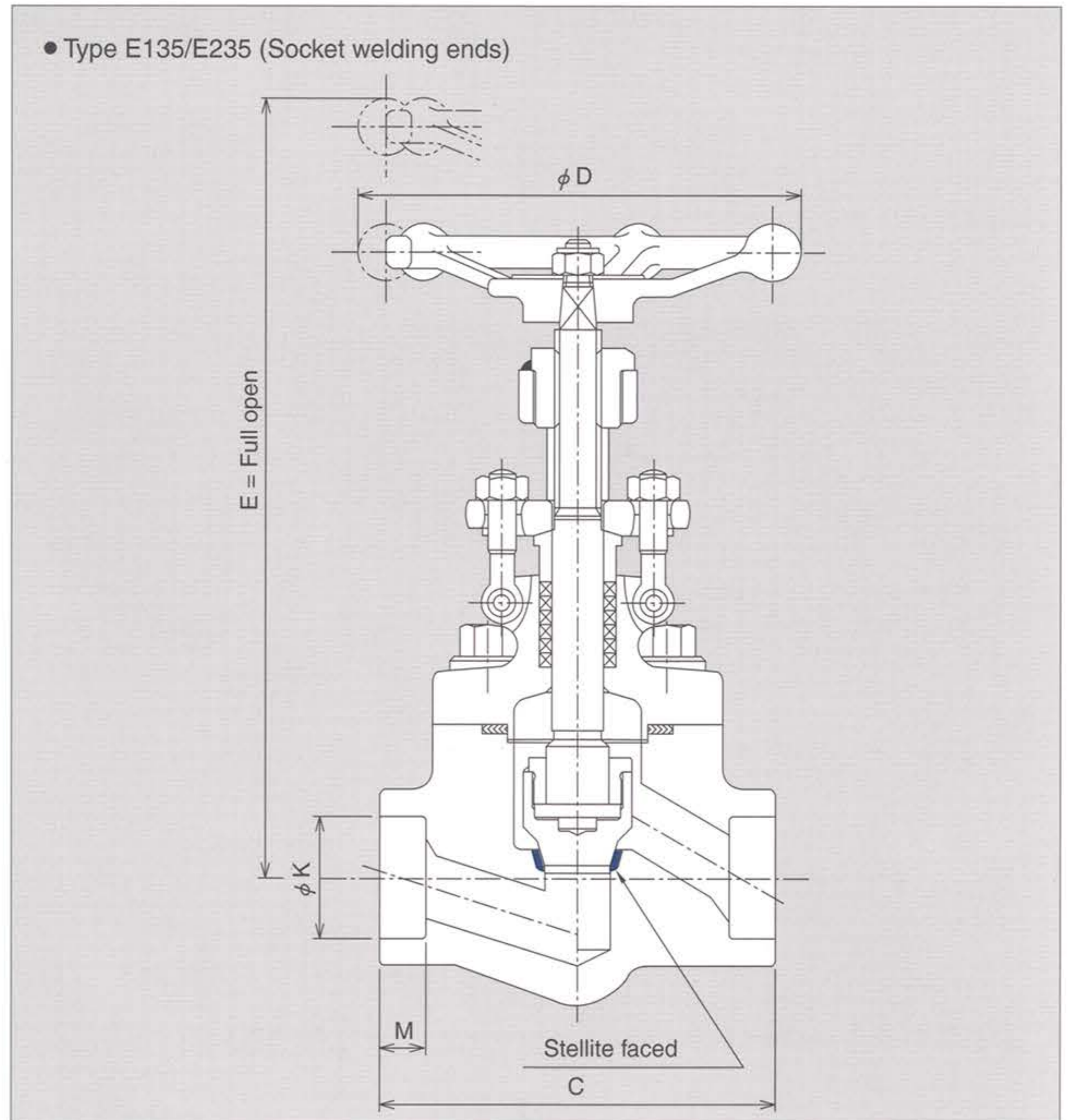
● Standard materials (Carbon steel)

Mark	Part name	Material	Mark	Part name	Material	Mark	Part name	Material
1	Body	ASTM A105	12	Packing gland ring	SUS416	22	Handwheel nut	S15C
2	Bonnet	ASTM A105	13	Thread bushing	SUS416	25	Packing gland nut	S45C
3	Disc	SUS420J2	14	Packing gland flange	S25C	39	Packing	Graphite with stainless wire
5	Handwheel	FCMB270	15	Bonnet bolt	SNB7	40	Gasket	Graphite · Stainless hoop
6	Disc nut	SUS416	16	Packing gland bolt	SUS410	42	Nameplate	Aluminum alloy
8	Stem	SUS416	19	Pin	SUS410			

● Other body/bonnet materials
 Low alloy steel
 Stainless steel



- Outside screw and yoke (OS & Y)
- Bolted bonnet (BB)
- Hard faced disc and body seats



● Standard dimensions (mm) and weight (kg)

Valve size		Socket inside dia. K	Socket depth M	Thread size B	Type E135				Type E235			
A	B				End-to-end distance C	Handwheel dia. D	Height (Full open) E	Weight	End-to-end distance C	Handwheel dia. D	Height (Full open) E	Weight
8	1/4	14.3	13.0	1/4	84	95	145	1.8	—	—	—	—
10	3/8	17.8	13.0	3/8	84	95	145	1.8	—	—	—	—
15	1/2	22.2	13.0	1/2	84	95	145	1.8	90	110	158	2.1
20	3/4	27.7	13.0	3/4	90	110	158	2.1	111	125	198	3.8
25	1	34.5	13.0	1	111	125	198	3.8	133	155	231	4.9
32	1 1/4	43.2	13.0	1 1/4	165	155	238	7.8	178	180	275	11.2
40	1 1/2	49.1	13.0	1 1/2	165	155	238	7.8	178	180	275	11.2
50	2	61.1	15.9	2	178	180	275	11.2	228	200	338	17.6

● For flange end-to-end distance, see page 14.