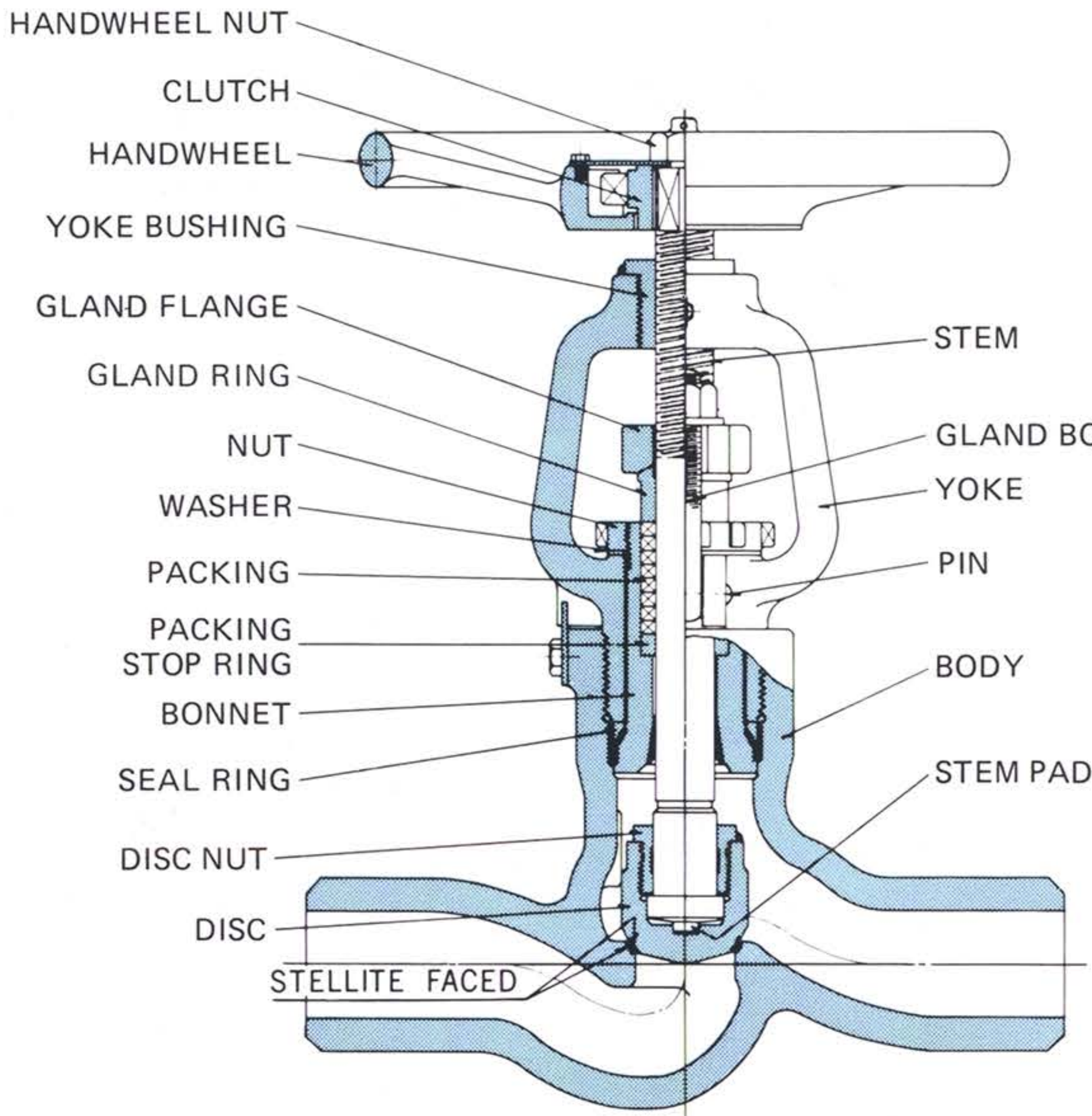
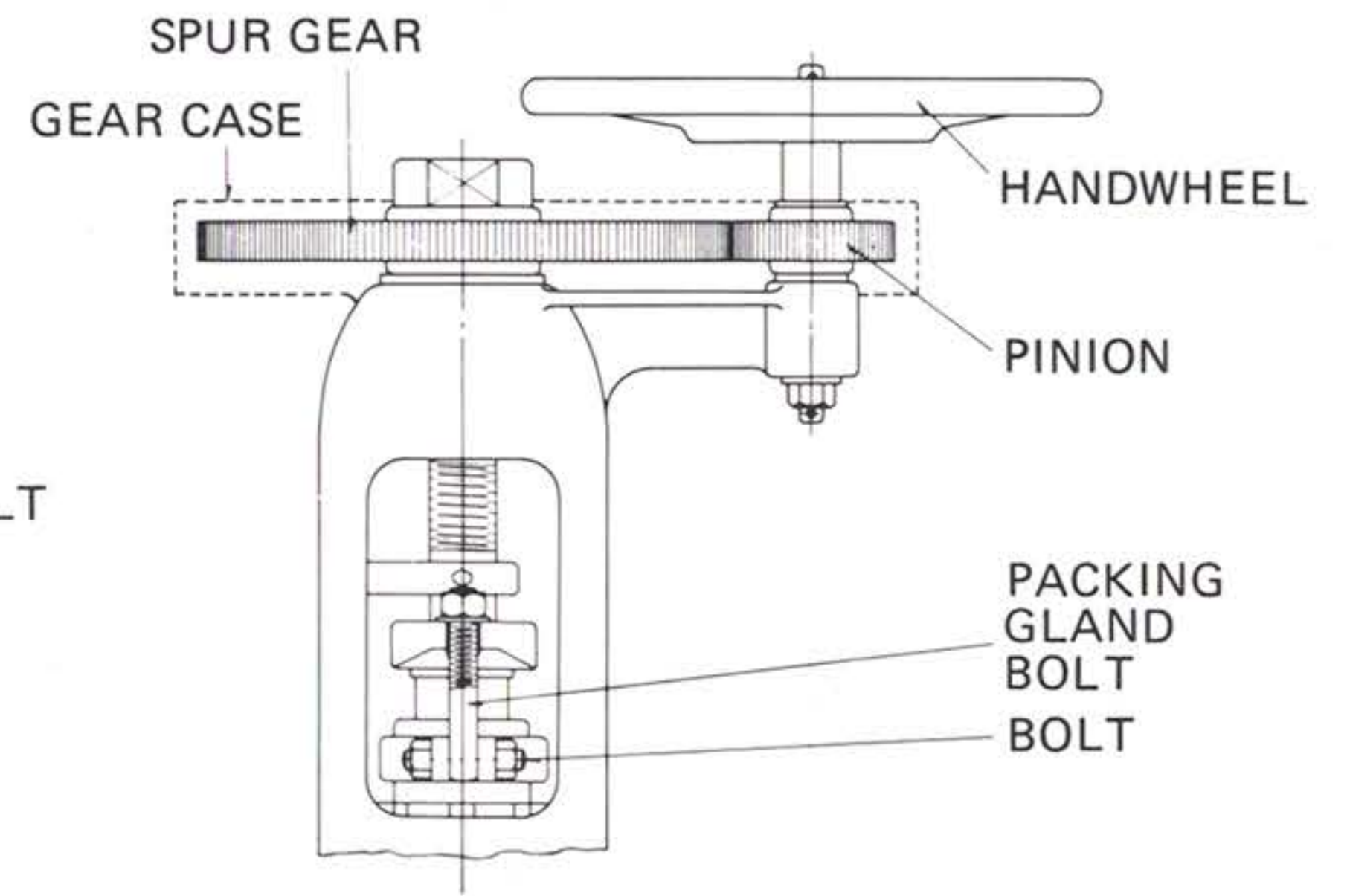


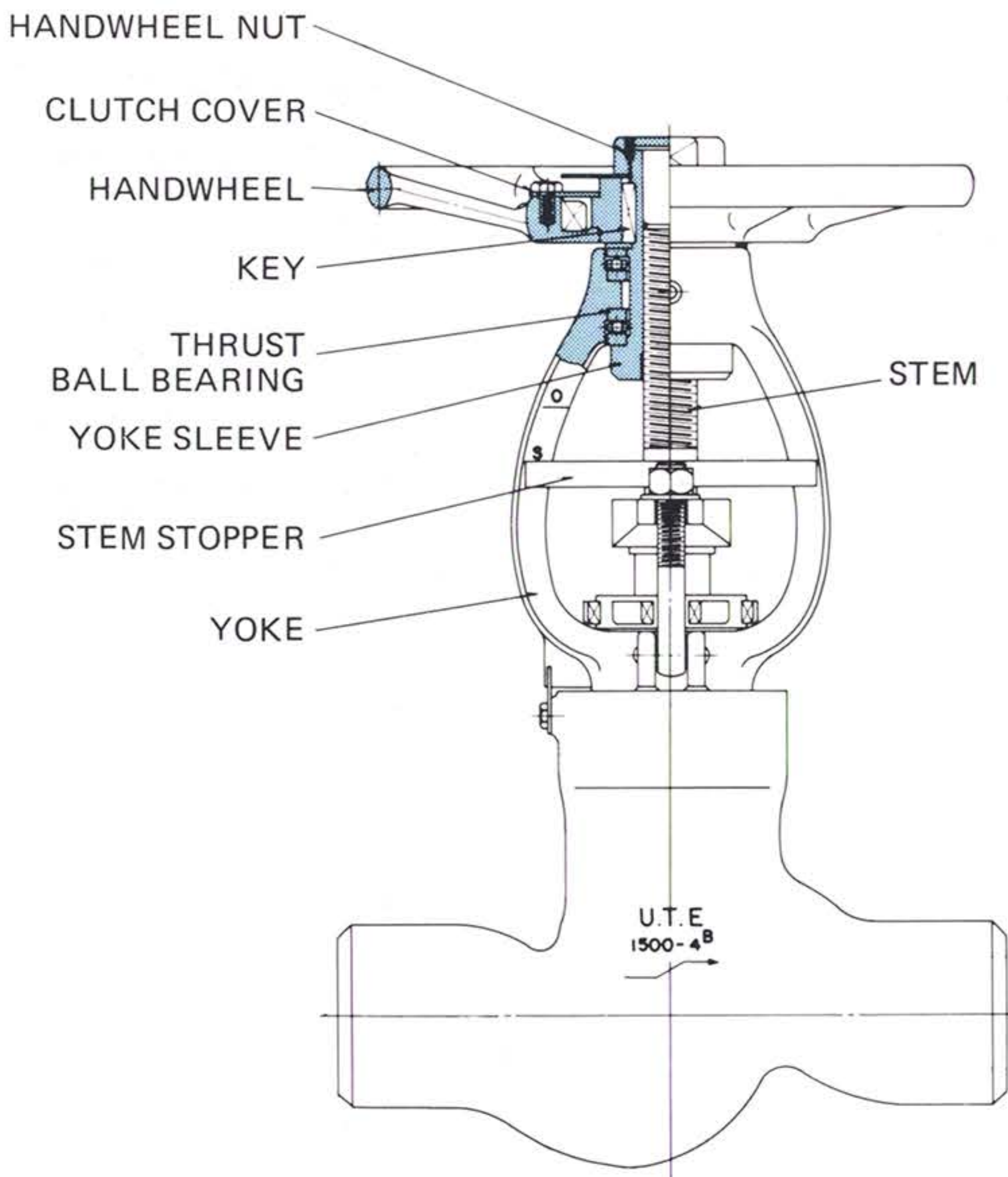
# UTE CAST STEEL GLOBE VALVE PRESSURE SEAL BONNET TYPE



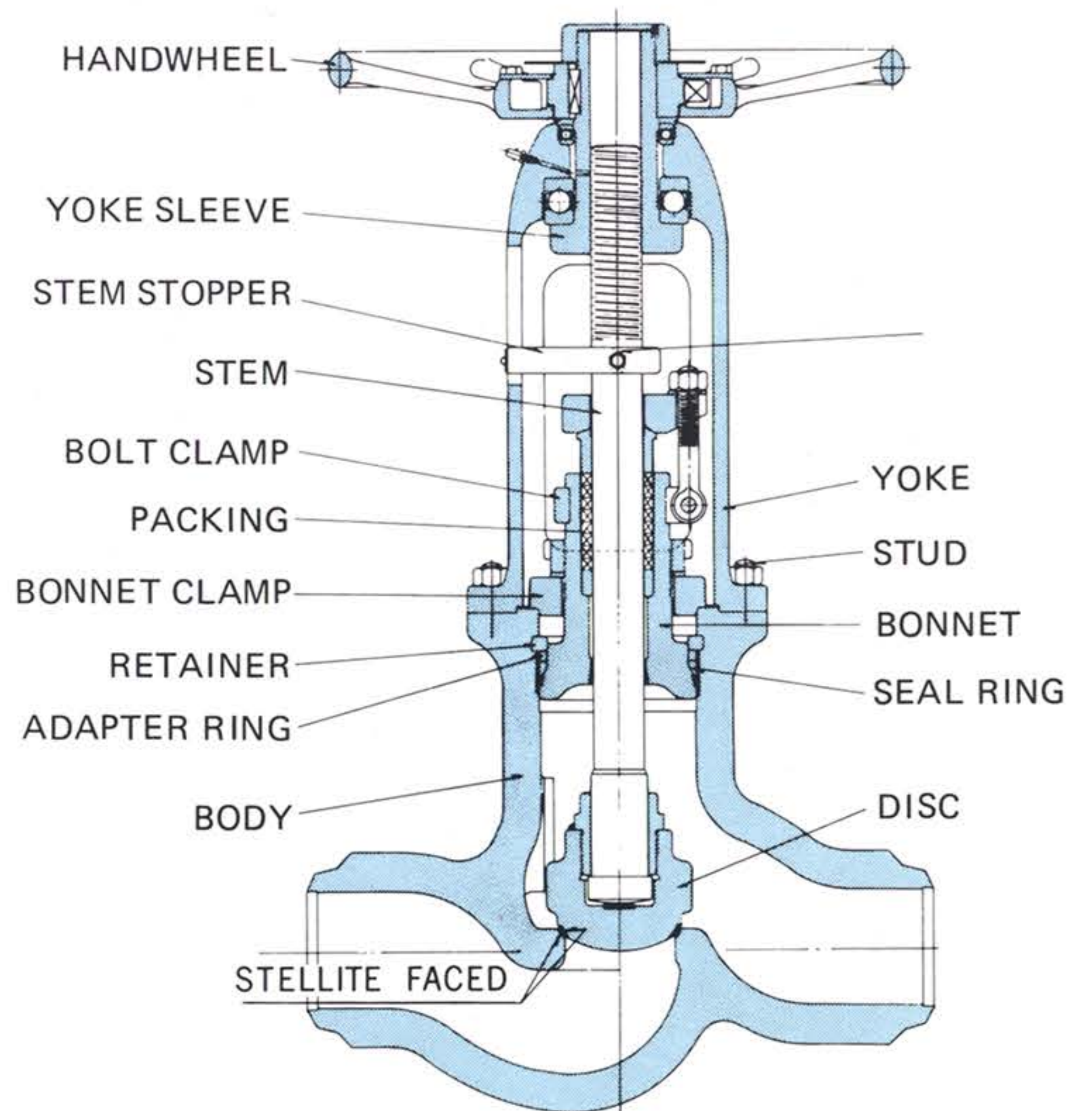
2 1/2 INCH & 3 INCH



GEARED OPERATION



4 INCH & 5 INCH



6 INCH OR OVER

## STANDARD MATERIALS IN USE

NAME OF PART	MATERIAL	
BODY	1, 2, 3, 4, 5, 6 (See Page 1, 1-2)	7, 8 (See Page 1, 1-2)
BONNET (Ref. to Note 3)	Ref. to Note 1	
DISC	Carbon Cast Steel	
YOKE	Carbon Cast Steel	
HANDWHEEL	Carbon Cast Steel	
STEM	Stainless Steel Type 403 or 416	Stainless Steel Type 630
DISC NUT	Stainless Steel Type 416	Austenite Stainless Steel
PACKING STOP RING		
GLAND RING	High-tension Brass	
YOKE BUSHING (SLEEVE)	Carbon Steel	
GLAND FLANGE	Alloy Steel	
STUD	Alloy Steel	
PACKING GLAND BOLT	Carbon Steel	
STEM PAD	Alloy Steel	
STEM STOPPER	Carbon Steel	
PIN	Alloy Steel	

NAME OF PART	MATERIAL
KEY	Carbon Steel
HANDWHEEL NUT	
CLUTCH	
CLUTCH COVER	Stainless Steel
WASHER	
SPUR GEAR	Carbon Steel
PINION	
THRUST BALL BEARING	Steel
PACKING	Graphite with Stainless Wire
SEAL RING	Soft Steel
GEAR CASE	Carbon Steel
RETAINER	Stainless Steel Type 403
BONNET CLAMP	Carbon Steel
BOLT CLAMP	
ADAPTER RING	Stainless Steel Type 403
NUT	Carbon Steel

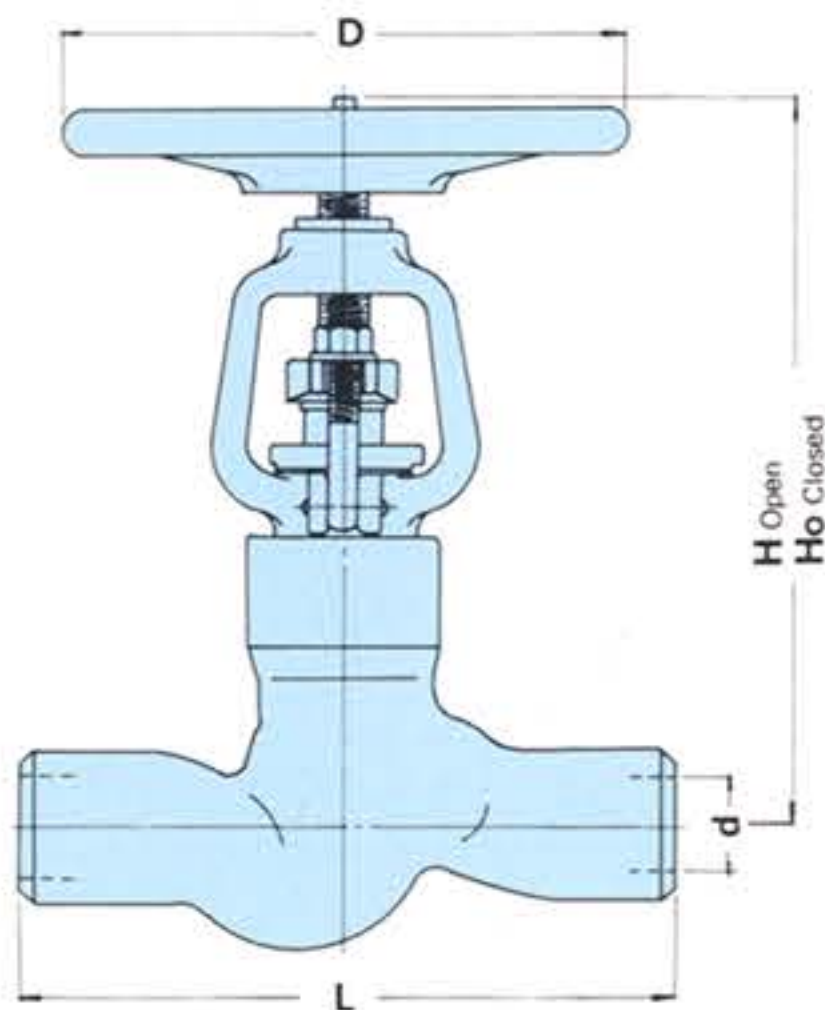
Note 1  
Materials are of higher grade material than those used in valve body. Seat faces are stellited.

Note 2  
Materials will be used which will meet or exceed the service conditions.

Note 3  
Bonnet is of better forged material than used in valve body.

## TABLE OF DIMENSION

DIMENSIONS IN INCHES (mm)  
WEIGHT IN POUNDS (kg)



### 1500 CLASS

TYPE NO.	U 137102	U 137103	U 137104	U 137105	U 137106	U 137108
VALVE-SIZE	2-1/2	3	4	5	6	8
d BORE	2-1/4 (57)	2-5/8 (66)	3-7/16 (87)	4-1/4 (108)	5 (128)	6-7/8 (175)
L END TO END	16-1/2 (419)	18-1/2 (470)	21-1/2 (546)	26-1/2 (673)	27-3/4 (705)	32-3/4 (832)
H OPEN	19-1/2 (497)	23-3/8 (594)	27-1/2 (699)	33-1/2 (851)	38-3/4 (984)	49-1/4 (1251)
Ho CLOSED	18-1/8 (461)	21-3/4 (554)	—	—	—	—
E GEARED	—	—	—	—	—	10-3/8 (264)
D HANDWHEEL	15-3/4 (400)	17-3/4 (450)	19-11/16 (500)	22-1/16 (560)	24-13/16 (630)	22-1/16 (560)
WEIGHT	143 (65)	209 (95)	341 (155)	528 (240)	880 (400)	1410 (640)

### 2500 CLASS

TYPE NO.	U 139102	U 139103	U 139104	U 139105	U 139106	U 139108
VALVE-SIZE	2-1/2	3	4	5	6	8
d BORE	1-3/4 (45)	2-1/4 (58)	3-1/8 (80)	4 (103)	4-7/8 (124)	5-7/8 (150)
L END TO END	20 (508)	22-3/4 (578)	26-1/2 (673)	31-1/4 (794)	36 (914)	35 (890)
H OPEN	20-5/8 (524)	23-5/8 (599)	30-1/2 (775)	35-3/8 (900)	45-1/4 (1150)	51-1/4 (1300)
Ho CLOSED	19-3/8 (492)	22 (559)	—	—	—	—
E GEARED	—	—	—	—	10-3/8 (264)	14-1/4 (360)
D HANDWHEEL	15-3/4 (400)	17-3/4 (450)	22-1/16 (560)	24-13/16 (630)	22-1/16 (560)	24-13/16 (630)
WEIGHT	180 (82)	260 (118)	508 (230)	880 (400)	1430 (650)	1100

Note: For data not shown in this table, accurate data will be included on the drawings submitted for approval.

