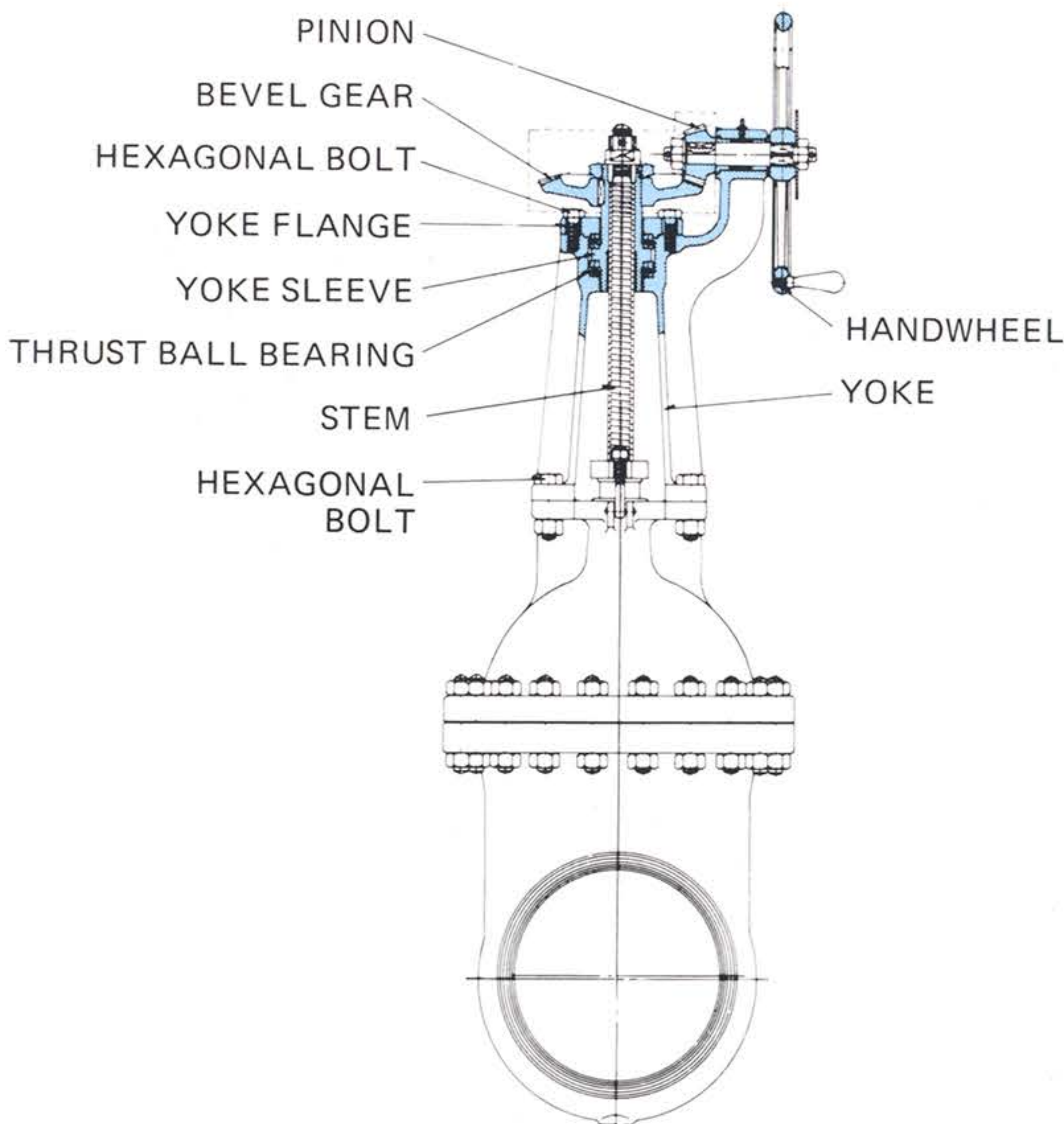
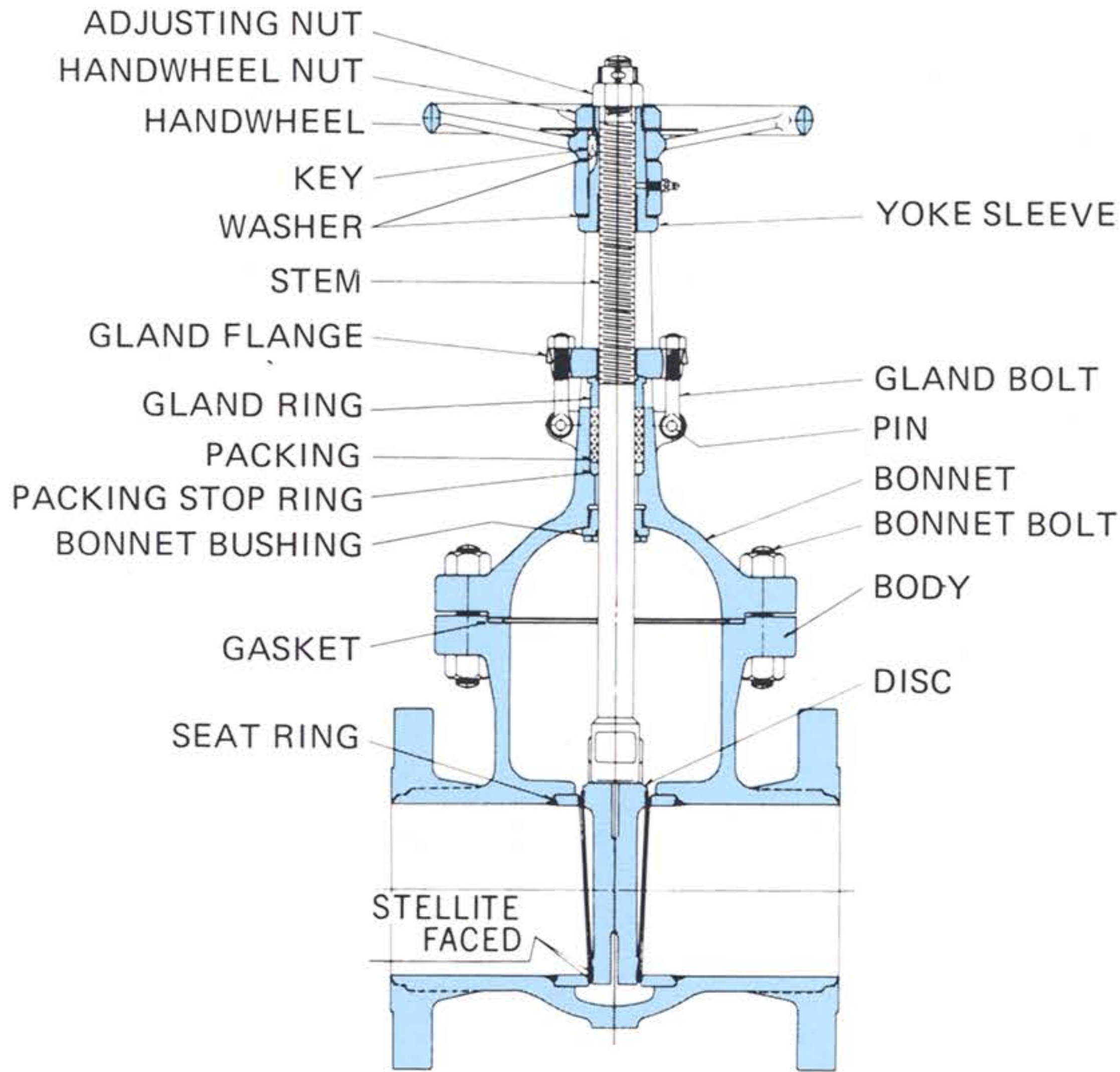


UTE CAST STEEL GATE VALVE BOLTED BONNET TYPE



GEARED OPERATION

STANDARD MATERIALS IN USE

NAME OF PART	MATERIAL	
BODY	1, 2, 3, 4, 5, 6 (See Page 1, 1-2)	7, 8 (See Page 1, 1-2)
BONNET		
DISC	Ref. to Note 1	
YOKE	Carbon Cast Steel	
HANDWHEEL	Malleable Iron – Outside Dia 17-3/4 In or Under Cast Iron – Outside Dia 19-3/4 In or Over	
YOKE FLANGE	Carbon Steel	
SEAT RING	Ref. to Note 1	
STEM	Stainless Steel Type 403 or 416	Stainless Steel Type 630
BONNET BUSHING	Stainless Steel Type 416	Austenite Stainless Steel
PACKING STOP RING		
GLAND RING		
YOKE SLEEVE	Stainless Steel Type 416 Dia of the Stem 1-1/4 In or Under High-tension Brass	
GLAND FLANGE	Carbon Steel or Malleable Iron	
BONNET BOLT	Alloy Steel	
GLAND BOLT	Carbon Steel or Stainless Steel	
HEXAGONAL BOLT	Carbon Steel	
PIN	Carbon Steel or Stainless Steel	
KEY		
HANDWHEEL NUT	Carbon Steel	
ADJUSTING NUT		
WASHER	Stainless Steel	
BEVEL GEAR	Carbon Steel	
PINION		
THRUST BALL BEARING	Steel	
PACKING	Graphite with Stainless Wire	
GASKET	Graphite • Stainless Hoop or Graphite Seet	

Note 1
Materials are of higher grade material than those used in valve body. Seat faces are stellite.

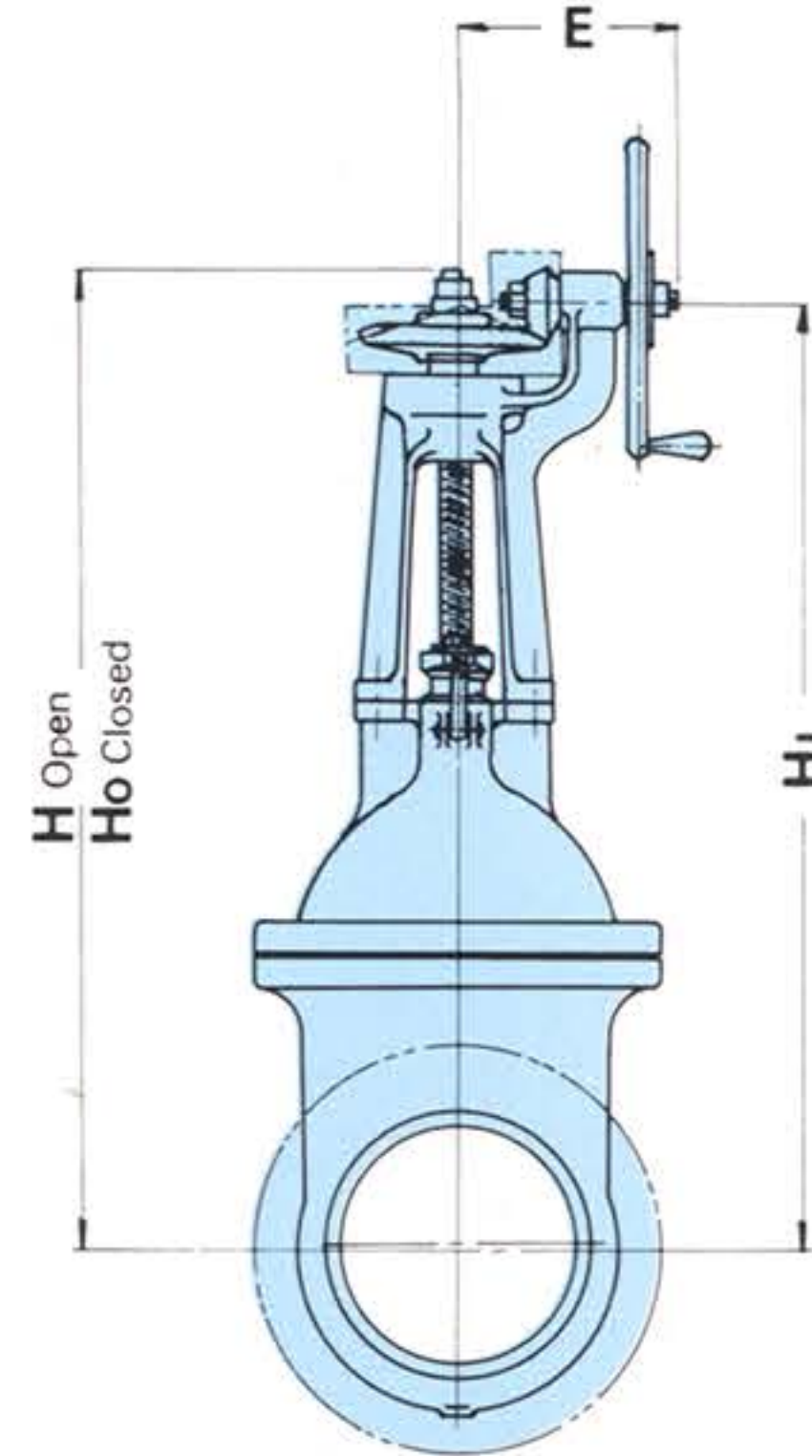
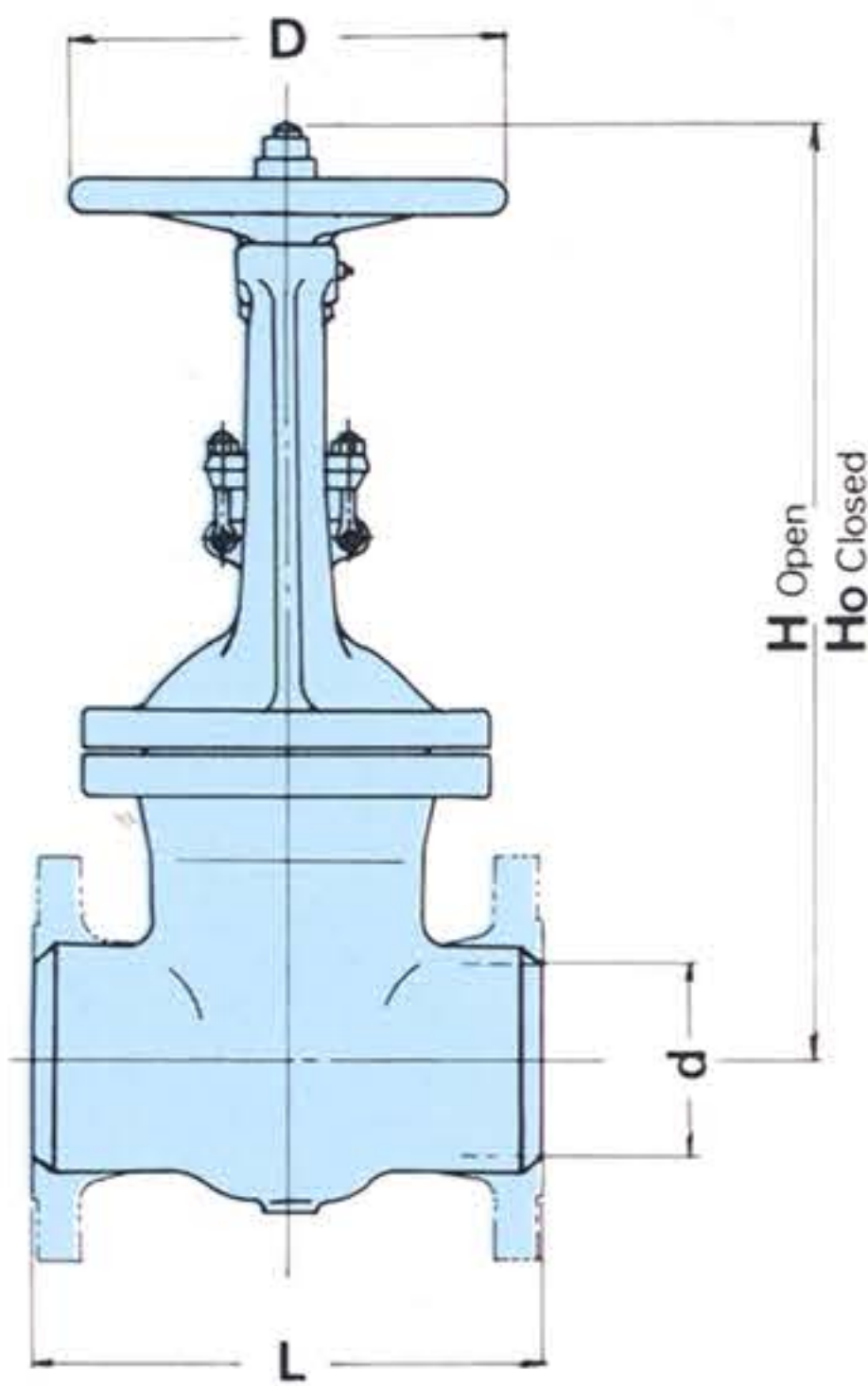


TABLE OF DIMENSION

DIMENSIONS IN INCHES (mm)
WEIGHT IN POUNDS (kg)

150 CLASS

TYPE NO.	U 112002	U 112003	U 112004	U 212005 ~ 212012	U 112014	U 112016	U 112018	U 112020	U 112022	U 112024
VALVE-SIZE	2-1/2	3	4	5 ~ 12	14	16	18	20	22	24
d BORE	2-1/2 (64)	3 (76)	4 (102)	SEE PAGE 6	3-1/4 (337)	15-1/4 (387)	17-1/4 (438)	19-1/4 (489)	20-7/8 (530)	23-1/4 (591)
L	FACE TO FACE (FLANGED)	7-1/2 (190)	8 (203)	9 (229)	"	15 (381)	16 (406)	17 (432)	18 (457)	20 (508)
	END TO END (BW ENDS)	9-1/2 (241)	11-1/8 (283)	12 (305)	"	22-1/2 (572)	24 (610)	26 (660)	28 (711)	30 (762)
H OPEN	16-3/8 (417)	18-1/8 (459)	21-3/8 (543)	EXCO TYPE	67-3/8 (1708)	76 (1924)	88-1/2 (2248)	95 (2408)	105 (2662)	116 (2945)
Ho CLOSED	13-3/4 (349)	14-7/8 (379)	17-1/4 (439)	"	53-3/8 (1356)	59-7/8 (1520)	70-1/8 (1787)	75 (1905)	85-3/4 (2089)	92 (2334)
H1 GEARED	-	-	-	"	-	-	-	72-1/4 (1838)	80-1/4 (2037)	86 (2182)
E GEARED	-	-	-	"	-	-	-	14-1/8 (359)	14-1/8 (359)	14-3/8 (364)
D HANDWHEEL	7-7/8 (200)	7-7/8 (200)	9-7/8 (250)	"	23-5/8 (600)	23-5/8 (600)	27-9/16 (700)	19-11/16 (500)	19-11/16 (500)	19-11/16 (500)
WEIGHT	FLANGED	59 (27)	73 (33)	99 (45)	"	1056 (480)	1342 (610)	2134 (970)	2596 (1180)	-
	BW ENDS	48 (22)	57 (26)	84 (38)	"	990 (450)	1254 (570)	1980 (900)	2530 (1150)	2954 (1340)

300 CLASS

TYPE NO.	U 113002	U 113003	U 113004	U 213005 ~ 213012	U 113014	U 113016	U 113018	U 113020	U 113022	U 113024
VALVE-SIZE	2-1/2	3	4	5 ~ 12	14	16	18	20	22	24
d BORE	2-1/2 (64)	3 (76)	4 (102)	SEE PAGE 6	13-1/4 (337)	15-1/4 (387)	17 (432)	19 (483)	20-7/8 (530)	23 (584)
L	FACE TO FACE (FLANGED)	9-1/2 (241)	11-1/8 (283)	12 (305)	"	30 (762)	33 (838)	36 (914)	39 (991)	43 (1092)
	END TO END (BW ENDS)	11-1/8 (283)	12 (305)	12 (305)	"	30 (762)	33 (838)	36 (914)	39 (991)	43 (1092)
H OPEN	16-3/8 (417)	18-1/8 (459)	21-3/8 (543)	EXCO TYPE	69-1/2 (1765)	74-1/2 (1893)	83-1/2 (2117)	89 (2262)	98-1/4 (2502)	107-1/2 (2728)
Ho CLOSED	13-3/4 (349)	14-7/8 (379)	17-1/4 (439)	"	56 (1422)	59-3/8 (1508)	66-1/2 (1687)	70-1/2 (1791)	78-3/8 (1989)	85-3/4 (2165)
H1 GEARED	-	-	-	"	-	57-1/2 (1459)	64-1/2 (1642)	68 (1730)	75-1/2 (1921)	82-1/2 (2096)
E GEARED	-	-	-	"	-	13-5/8 (346)	14-5/8 (371)	14-5/8 (371)	17-1/4 (439)	22-3/4 (579)
D HANDWHEEL	7-7/8 (200)	7-7/8 (200)	9-7/8 (250)	"	27-9/16 (700)	19-11/16 (500)	19-11/16 (500)	19-11/16 (500)	23-5/8 (600)	23-5/8 (600)
WEIGHT	FLANGED	66 (30)	81 (37)	119 (54)	"	1672 (760)	2116 (960)	2877 (1305)	3549 (1610)	3990 (1810)
	BW ENDS	48 (22)	57 (26)	84 (38)	"	1365 (620)	1716 (780)	2388 (1080)	2950 (1340)	3461 (1570)

400 CLASS

TYPE NO.	U 114002	U 114003	U 114004	U 114005	U 114006	U 114008	U 114010	U 114012	U 114014	U 114016	U 114018	U 114020
VALVE-SIZES	2-1/2	3	4	5	6	8	10	12	14	16	18	20
d BORE	2-1/2 (64)	3 (76)	4 (102)	5 (127)	6 (152)	8 (203)	10 (254)	12 (305)	13-1/8 (333)	15 (381)	17 (432)	18-7/8 (479)
L	FACE TO FACE (FLANGED)	13 (330)	14 (356)	16 (406)	18 (457)	19-1/2 (495)	23-1/2 (597)	26-1/2 (673)	30 (762)	32-1/2 (826)	35-1/2 (902)	38-1/2 (978)
	END TO END (BW ENDS)	13 (330)	14 (356)	16 (406)	18 (457)	19-1/2 (495)	23-1/2 (597)	26-1/2 (673)	30 (762)	32-1/2 (826)	35-1/2 (902)	38-1/2 (978)
H OPEN	18-3/4 (475)	21-1/8 (538)	26-3/8 (670)	30 (761)	35-1/4 (894)	44-5/8 (1132)	56-7/8 (1443)	67-1/2 (1715)	68-1/2 (1740)	76 (1931)	83-1/2 (2121)	87 (2209)
Ho CLOSED	15-3/4 (400)	17-5/8 (449)	22 (559)	24-5/8 (624)	28-7/8 (732)	36-3/8 (924)	46-1/4 (1176)	55-1/8 (1401)	55-3/8 (1406)	61 (1552)	66-1/2 (1690)	68-1/2 (1737)
H1 GEARED	-	-	-	-	-	-	-	-	53-3/8 (1357)	59-3/8 (1507)	63-3/4 (1620)	71-1/2 (1817)
E GEARED	-	-	-	-	-	-	-	-	13-5/8 (346)	14-5/8 (371)	14-5/8 (371)	17-1/4 (439)
D HANDWHEEL	7-7/8 (200)	9-7/8 (250)	11-13/16 (300)	11-13/16 (300)	13-3/4 (350)	15-3/4 (400)	19-11/16 (500)	27-9/16 (700)	19-11/16 (500)	19-11/16 (500)	23-5/8 (600)	23-5/8 (600)
WEIGHT	FLANGED	119 (54)	139 (63)	214 (97)	286 (130)	400 (182)	640 (291)	1045 (475)	1610 (730)	1975 (896)	2470 (1122)	3240 (1470)
	BW ENDS	93 (42)	103 (47)	160 (73)	220 (100)	308 (140)	500 (228)	845 (384)	1320 (600)	1587 (720)	1980 (900)	2640 (1200)

600 CLASS

TYPE NO.	U 115002	U 115003	U 115004	U 115005	U 115006	U 115008	U 115010	U 115012	U 115014	U 115016	U 115018	U 115020
VALVE-SIZE	2-1/2	3	4	5	6	8	10	12	14	16	18	20
d BORE	2-1/2 (64)	3 (76)	4 (102)	5 (127)	6 (152)	7-7/8 (200)	9-3/4 (248)	11-3/4 (298)	12-7/8 (327)	14-3/4 (375)	16-1/2 (419)	18-1/4 (464)
L	FACE TO FACE (FLANGED)	13 (330)	14 (356)	17 (432)	20 (508)	22 (559)	26 (660)	31 (787)	33 (838)	35 (889)	39 (991)	43 (1092)
	END TO END (BW ENDS)	13 (330)	14 (356)	17 (432)	20 (508)	22 (559)	26 (660)	31 (787)	33 (838)	35 (889)	39 (991)	43 (1092)
H OPEN	19-1/8 (486)	21-3/4 (553)	28 (710)	32-5/8 (829)	42 (1067)	49-7/8 (1266)	61-1/4 (1557)	68 (1730)	71-1/4 (1809)	78-3/8 (2014)	86-1/2 (2198)	94-3/8 (2397)
Ho CLOSED	16-3/8 (416)	18 (470)	23-3/4 (602)	27-9/16 (700)	35-7/8 (910)	41-3/4 (1060)	51-1/8 (1299)	56-3/8 (1431)	58-1/2 (1487)	64-3/4 (1644)	70-1/2 (1787)	76-1/2 (1945)
H1 GEARED	-	-	-	-	-	-	-	53-15/16 (1370)	55-3/4 (1416)	62-3/4 (1592)	67-5/8 (1718)	74 (1879)
E GEARED	-	-	-	-	-	23-5/8 (600)	-	13 (331)	17-1/4 (439)	22-7/8 (580)	22-7/8 (580)	26-7/8 (684)
D HANDWHEEL	11-13/16 (300)	11-13/16 (300)	13-3/4 (350)	15-3/4 (400)	19-11/16 (500)	22-1/16 (560)	27-9/16 (700)	23-5/8 (600)	23-5/8 (600)	23-5/8 (600)	23-5/8 (600)	23-5/8 (600)
WEIGHT	FLANGED	132 (60)	172 (78)	286 (130)	440 (200)	683 (310)	990 (450)	1890 (860)	2491 (1130)	2965 (1345)	3788 (1718)	4720 (2142)
	BW ENDS	101 (46)	136 (62)	220 (100)	320 (145)	540 (245)	793 (360)	1540 (700)	2094 (950)	2469 (1120)	3086 (1400)	3858 (1750)

Note: For data not shown in this table, accurate data will be included on the drawings submitted for approval.