

BODY CODE	
1	FC25
2	FCD
3	WCB
4	SUS304 (CF8)
5	SUS316 (CF8M)
6	SUS316L (CF3M)



CAST-IRON MODEL



STAINLESS-STEEL MODEL

PLATE CODE	
1	BC-6
2	ALBC-3
3	WCB
4	SUS304 (CF8)
5	SUS316 (CF8M)
6	SUS316L (CF3M)

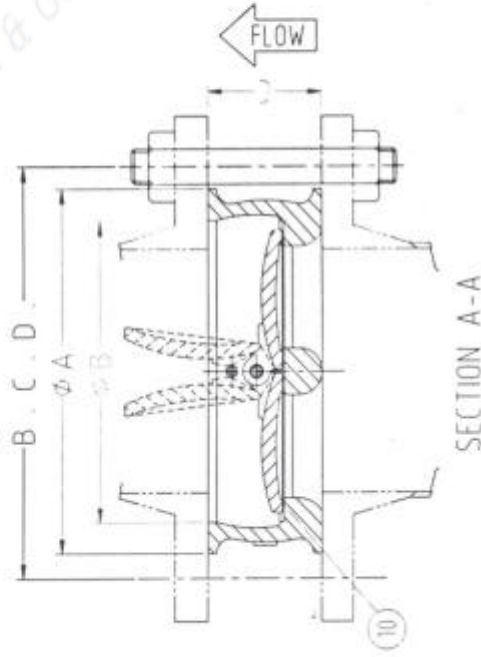
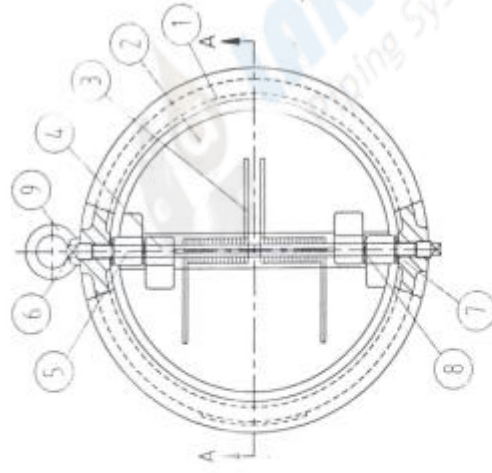
SEAT MATERIAL			
DESIGNATION		TEMPRETURE LIMIT	
1	NBR	0°C ~ 80°C	32°F ~ 176°F
2	CR	-10°C ~ 80°C	14°F ~ 176°F
3	FRM	-30°C ~ 150°C	-22°F ~ 302°F
4	EPDM	-10°C ~ 80°C	14°F ~ 176°F
5	METAL TO METAL (SS304、SS316、SS410、SS316L)	-268°C ~ 538°C	-450°F ~ 1000°F

SPRING MATERIAL			
DESINGNATION		TEMPRETURE LIMITS (MAX)	
1	SUS304	100°C	200°F
2	SUS316	121°C	250°F
3	INCONEL-X750	538°C	1000°F
4	K-MONEL	230°C	446°F



DUAL PLATE WAFER TYPE CHECK VALVE

SIZE	ϕA	ϕB	C	B. C. D.	W. T.
1-1/2"	97		60	114.3	2.5
2"	111		60	127.0	3.5
2-1/2"	130		67	149.4	4.0
3"	149		73	168.1	6.0
4"	181		73	200.2	11.0
5"	216		87	235.0	13.0
6"	251		98	269.7	23.0
8"	308		127	330.2	36.0
10"	362		146	387.4	65.0
12"	422		181	450.9	86.0
14"	486		222	514.4	170.0
16"	540		232	571.5	208.0
18"	597		264	628.7	296.0
20"	654		292	685.8	366.0



NO.	PARTS NAME	MATERIALS	Q' TY	REMARKS
1	BODY	A216 GR. WCB	1	
2	PLATE	A351 CF8M	2	
3	* SPRING	SUS316	1	1-1/2" ~ 5" USED 1 PC.
		SUS316	2	6" ~ 22" USED 2 PCS.
4	HINGE PIN	SUS316	1	
5	STOP PIN	SUS316	1	
6	RETAINER	A105	4	
7	BODY BEARING	SUS316	2	
8	PLATE BEARING	SUS316	2	
9	EYE BOLT	A105	1	6" AND LARGER SIZES.
10	SEAT	METAL TO METAL	1	

* SEAT CAN FULL STELLITE#6 IN HALF STELLITE#6