

**DESIGN DESCRIPTION:**

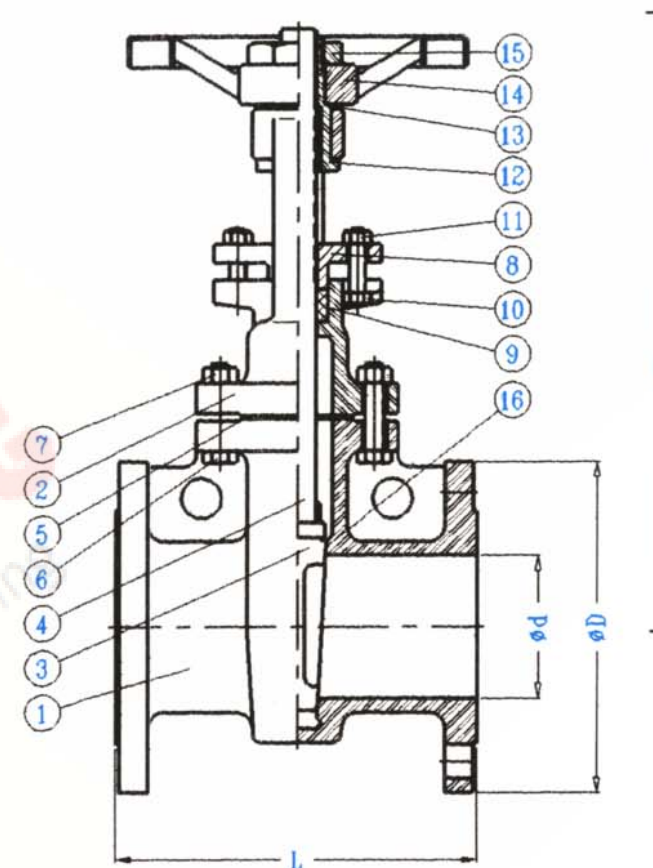
BOLTED BONNET  
OUTSIDE SCREW AND YOKE  
RISING STEM AND HANDWHEEL

- F-F dimensions:ANSI B16.10
- End flanges:ANSI B16.5 or JIS B2210

TEST: ANSI B16.34

**MATERIAL:**

- ASTM A351 GR.CF8M
- ASTM A351 GR.CF8
- ASTM A216 GR.WCB



Design		A Series Valves (ANSI B16.34), RF-flanged									
Class		JIS 10K		JIS 20K		ANSI 150LB		ANSI 300LB			
Size		L	H	L	H	L	H	L	H	L	H
1/2	15	108	198	140	207	108	198	140	207	140	207
3/4	20	117	208	152	217	117	208	152	217	152	217
1	25	127	224	165	236	127	224	165	236	165	236
1 1/4	32	140	238	-	-	-	-	-	-	-	-
1 1/2	40	165	282	190	292	165	282	190	292	190	292
2	50	178	336	216	353	178	336	216	353	216	353
2 1/2	65	190	375	241	404	190	375	241	404	241	404
3	80	203	445	283	470	203	445	283	471	283	471
4	100	229	523	305	560	229	523	305	560	305	560
5	125	254	606	381	626	254	606	381	626	381	626
6	150	267	710	403	753	267	710	403	753	403	753
8	200	292	920	419	968	292	920	419	968	419	968
10	250	330	1117	457	1170	330	1117	457	1170	457	1170
12	300	356	1324	502	1380	356	1324	502	1380	502	1380
14	350	381	1486	762	1590	381	1486	762	1590	762	1590
16	400	406	1690	838	1810	406	1690	838	1810	838	1810
18	450	432	1890	914	1980	432	1890	914	1980	914	1980
20	500	457	2100	991	2190	457	2100	991	2190	991	2190
24	600	508	2480	1143	2580	508	2460	1143	2580	1143	2580

NO.	PART NAME	MATERIAL		
		STAINLESS STEEL	STAINLESS STEEL	CARBON STEEL
1	BODY	ASTM A351 Gr. CF8M	ASTM A351 Gr. CF8	ASTM A216 Gr. WCB
2	BONNET	ASTM A351 Gr. CF8M	ASTM A351 Gr. CF8	ASTM A216 Gr. WCB
3	DISC	ASTM A351 Gr. CF8M	ASTM A351 Gr. CF8	ASTM A351 Gr. CF8
4	STEM	ASTM A276 TYPE 316	ASTM A276 TYPE 304	ASTM A276 TYP 304
5	GASKET	PTFE	PTFE	PTFE
6	BONNET BOLT	ASTM A193 Gr. B8	ASTM A193 Gr. B8	ASTM A193 Gr. B7
7	BONNET NUT	ASTM A194 Gr. 8A	ASTM A194 Gr. 8A	ASTM A194 Gr. 2H
8	GLAND	ASTM A351 Gr. CF8	ASTM A351 Gr. CF8	ASTM A351 Gr. CF8
9	PACKING	PTFE	PTFE	PTFE
10	GLAND BOLT	ASTM A193 Gr. B8	ASTM A193 Gr. B8	ASTM A193 Gr. B7
11	GLAND NUT	ASTM A194 Gr. 8A	ASTM A194 Gr. 8A	ASTM A194 Gr. 2H
12	SLEEVE	BRASS	BRASS	BRASS
13	STEM RING	BRASS	BRASS	BRASS
14	HAND WHEEL	FC 20	FC 20	FC 20
15	STEM NUT	BRASS	BRASS	BRASS
16	SEAT RING	-	-	ASTM A276 TYPE 304