

Single Orifice Air Relief Valve

FIG. 9708

Specifications

- Provides the functions of both Air Release and Air / Vacuum Valves.
- Exhausts large quantities of air at system start-up.
- Provides protection from pipeline collapse due to vacuum.
- Incorporates both features within one valve, more compact and economical.
- NPT or Metric thread of inlet.

Working Pressure and Temperature

- 16 bar/250 psi @ -10C° to 120°C.

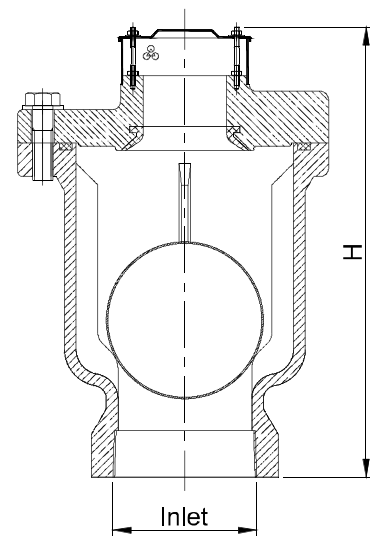
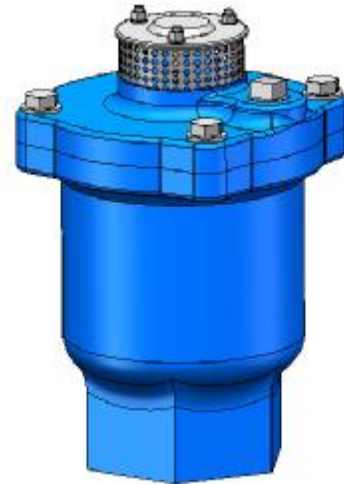
Corrosion Protection

- Fusion bonded coating or liquid epoxy painted interior and exterior.

Material Specifications

Part	Material	EN Specification	ASTM Specification
Body	Cast Iron	EN 1561, EN-GJL-250	A 126 Class B
Ball	Stainless Steel	EN 10213, GX5CrNi19-10	A 351 Grade CF8
Seat	Rubber	EN 681, EPDM/NBR	D 2000 EPDM/NBR
Bonnet	Cast Iron	EN 1561, EN-GJL-250	A 126 Class B
Cover	Stainless Steel	EN 10088-3, X5CrNi18-10	A 276 Grade 304
Screen	Stainless Steel	EN 10088-3, X5CrNi18-10	A 276 Grade 304
Gasket	Rubber	EN 68, EPDM/NBR	D 2000 EPDM/NBR
Bonnet Bolts	Carbon Steel	Carbon Steel, Gr. 4.8	A 307 Grade B
Stud Bolts	Stainless Steel	BS 970, 304S15	A 2-70

Schematic



Main Dimensions(mm)

Size	DN15	DN20	DN25	DN32	DN40	DN50	DN80
Inlet Thread	Rc1/2	Rc3/4	Rc1	Rc1-1/4	Rc1-1/2	Rc2	Rc3
	1/2-14NPT	3/4-14NPT	1-11.5NPT	1-1/4-11.5NPT	1-1/2-11.5NPT	2-11.5NPT	3-8NPT
H	163	163	163	163	225	225	270

Notes

- Designs, materials and specifications shown are subject to change without notice due to the continuous development of our products.