

## Dry-Barrel Fire Hydrant

## FIG. F0733-250

### Specifications

- Meet or exceed the requirements of AWWA C502 standard.
  - NFPA 1963 standard nozzle threads.
  - Traffic feature with duplex stainless steel safety stem coupling.
  - Excellent flow characteristics.
  - Multiple nozzle configurations.
  - Monitor style available.
  - Mechanical joint base elbow.
  - Dry top design with O-ring sealed oil reservoir.
  - Dual auto-frost bronze drain valves as standard.
- UL 246 listed and FM 1510 approved.

### Working Pressure and Temperature

- 250 psi @ -10°C to 80°C.

### Corrosion Protection

- Fusion bonded coating meet or exceed all applicable of AWWA C550 standard.

### Options

- Monitor flange: ASTM B16.1 Class 125, size 4" or 3".
- With or without monitor.
- Flange base elbow.
- Multiple nozzle configurations

### Material Specifications

Part	Material	ASTM Specification
Operating Nut	Bronze	B62 C83600
Hold Down Nut	Bronze	B62 C83600
Bonnet	Cast Iron	A126 Class B
Bonnet Bolts and Nuts	Carbon Steel, Zinc Plated	A307 Grade B
Bonnet Gasket	Rubber	D2000 NBR
Nozzle	Bronze	B62 C83600
Nozzle Cap	Cast Iron	A126 Class B
Nozzle Gasket	Rubber	D2000 NBR
Nozzle O-Ring	Rubber	D2000 NBR
Nozzle Gasket	Rubber	D2000 NBR
Cap Chain	Carbon Steel	A105
Standpipe Upper	Ductile Iron	A536 Grade 65-45-12
Safety Coupling	Duplex Stainless Steel	A890 J92205
Cotter Pin	Stainless Steel	A276 Grade 304
Clevis Pin	Stainless Steel	A276 Grade 304
Safety Flange	Cast Iron	A126 Class B
Flange Bolts and Nuts	Carbon Steel, Zinc Plated	A307 Grade B
Standpipe Lower	Ductile Iron	A536 Grade 65-45-12
Upper Rod	Carbon Steel	A576 Grade B
Lower Rod	Carbon Steel	A576 Grade B
Valve Top Plate	Bronze	B62 C83600
Drain Valve Facing	Plastic	
Seat Ring	Bronze	B62 C83600
Drain Ring	Bronze	B62 C83600

### Schematic



### Buried Depth Dimensions (inch)

Options	L (Buried Depth)
1	1' - 0"
2	2' - 0"
3	3' - 0"
4	3' - 6"
5	4' - 0"
6	4' - 6"
7	5' - 0"
8	5' - 6"
9	6' - 0"
10	6' - 6"
11	7' - 0"

### Material Specifications

Part	Material	ASTM Specification
Drain Housing	Ductile Iron	A536 Grade 65-45-12
Main Valve	Rubber	D2000 NBR
Valve Bottom Plate	Ductile Iron	A536 Grade 65-45-12
Bottom Plate Nut	Ductile Iron	A536 Grade 65-45-12
Elbow	Ductile Iron	A536 Grade 65-45-12

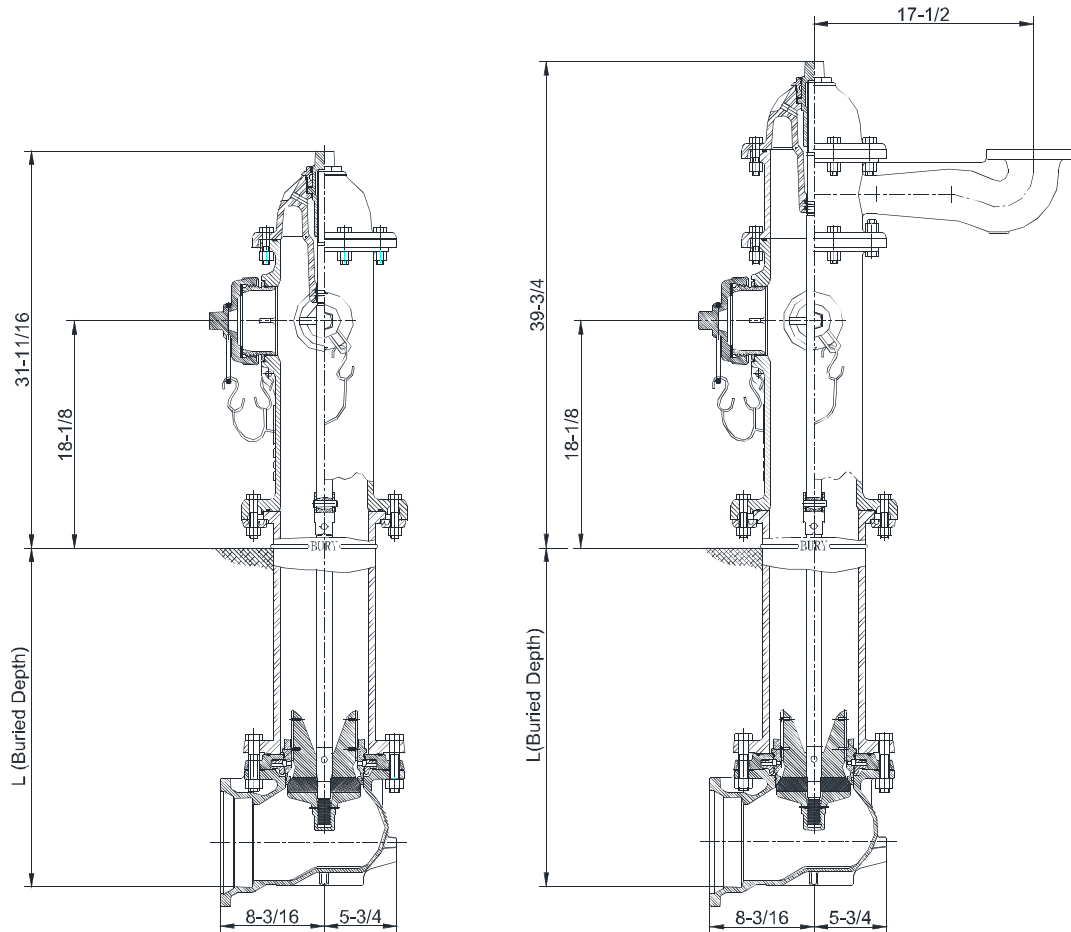
### Notes

- Designs, materials and specifications shown are subject to change without notice due to the continuous development of our products.

## Dry-Barrel Fire Hydrant

## FIG. F0733-250

### Schematic



### Style

Style No	Hose outlet	Pumper Nozzle Style	Monitor	Way
F0733-250	-2H0P	2 x 2.5"	N/A	2-Way
F0733-250	-2H0PM	2 x 2.5"	Yes	2-Way
F0733-250	-2H1P	2 x 2.5"	N/A	3-Way
F0733-250	-2H1PM	2 x 2.5"	Yes	3-Way
F0733-250	-3H1P	3 x 2.5"	N/A	4-Way
F0733-250	-3H1PM	3 x 2.5"	Yes	4-Way
F0733-250	-4H0P	4 x 2.5"	N/A	4-Way
F0733-250	-4H0PM	4 x 2.5"	Yes	4-Way
F0733-250	-2H2P	2 x 2.5"	N/A	4-Way
F0733-250	-2H2PM	2 x 2.5"	Yes	4-Way

#### Notes

• Designs, materials and specifications shown are subject to change without notice due to the continuous development of our products.